

PHILIPS

Home Access

Electronic deadbolt

User Manual

Sign your product up and get support at
www.philips.com/support



Contents

1 Warnings & Safety Information **02**

Safety
Caution
Returns & Disposal

2 Installation Guide **03**

Parts List
Assembly View
Installation Steps
Required Tools

3 Programming Guide **10**

Exterior Assembly
Interior Assembly
Function Definitions

4 Operating the Lock **12**

Unlocking the door from outside
Unlocking the door from inside
Locking the door from outside
Locking the door from inside

5 PIN Code Parameters **13**

6 Programming Instructions **14**

Change the Default Master PIN Code
Change Master PIN Code
Add User PIN Code
Delete User PIN Code
Add User Fingerprint
Delete User Fingerprint
Change System Language
Timed Auto Lock Setting
Away Mode

7 Factory Default Settings & Reset Instructions **18**

8 Troubleshooting **19**

9 Warranty **20**

1 Warnings & Safety Information

Safety

- ◆ Before using this product, please read and understand all instructions. Damage caused by failure to follow instructions is not covered by the warranty.
- ◆ Only use the manufacturer provided components and suggested accessories.
- ◆ Only use AA alkaline batteries.
- ◆ Do not forcibly disassemble the product to trigger an alarm or damage the product.
- ◆ Do not scrape the fingerprint sensor with sharp objects as this may cause permanent damage.
- ◆ Do not remove the batteries during lock setup and operation.
- ◆ Change the default Master PIN Code immediately after completing the installation.

Caution

- ◆ Do not place the batteries near fire sources.
- ◆ Do not use an emergency power supply that does not meet safety requirements.
- ◆ Do not connect the 2 poles of the batteries to metals in order to avoid a short circuit and potential explosion.
- ◆ Any replacement component should be performed by Philips, a Philips authorized service center or professional technician.
- ◆ Do not use parts or accessories manufactured by others, except batteries.
- ◆ Do not expose products to places that have water leakage or splashing.

Returns & Disposal

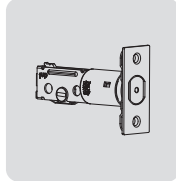
- ◆ Locks can be returned at authorized Philips service centers. Appropriate compensation will be provided if the returned product meets Philips conditions.
- ◆ Please follow local regulations and do not throw used product or batteries into normal household waste.

2 Installation Guide

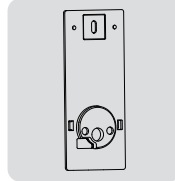
Parts List



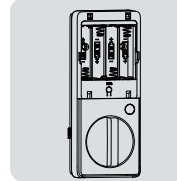
① Exterior Keypad Assembly



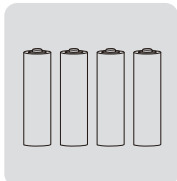
② Latch Bolt



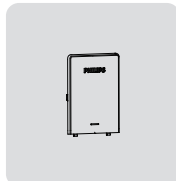
③ Mounting Plate



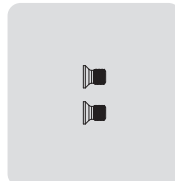
④ Interior Assembly



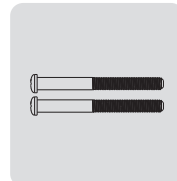
⑤ AA Batteries (4)



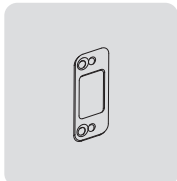
⑥ Battery Cover



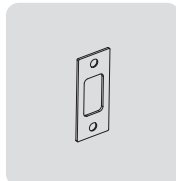
⑦ Interior Assembly Screws (2)



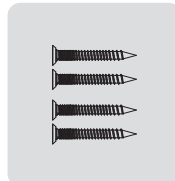
⑧ Mounting Plate Screws (2)



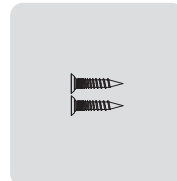
⑨ Reinforcement Plate (Optional)



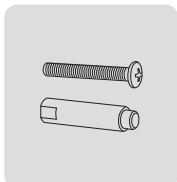
⑩ Strike Plate



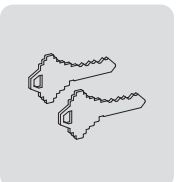
⑪ Strike Plate Screws (2)
Reinforcement Plate Screws (Optional) (2)



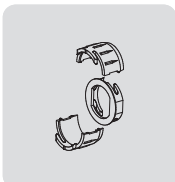
⑫ Latch Bolt Screws (2)



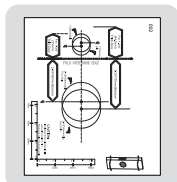
⑬ Exterior Assembly Screw (Optional)



⑭ Backup Keys



⑮ Drive-In Collar (Optional)



⑯ Drilling Template

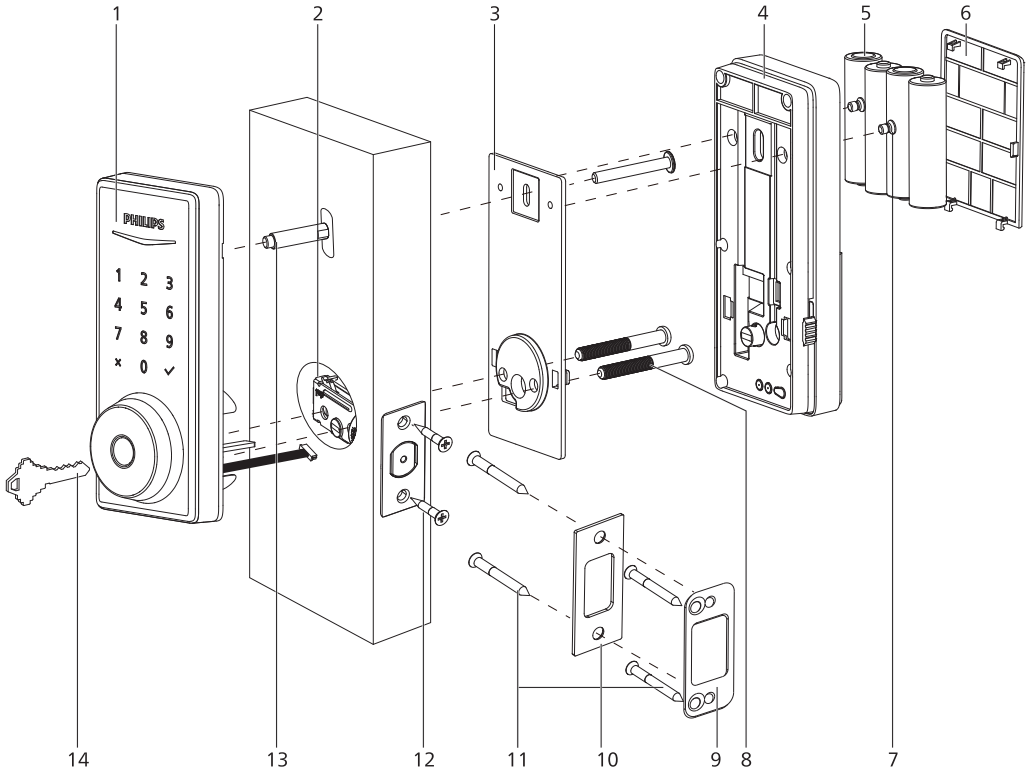


⑰ User Manual



⑱ Quick Start Guide

Assembly View



- | | |
|---------------------------------|---|
| 1. Exterior Assembly | 8. Mounting Plate Screws (2) |
| 2. Latch Bolt | 9. Reinforcement Plate (Optional) |
| 3. Mounting Plate | 10. Strike Plate |
| 4. Interior Assembly | 11. Strike Plate Screws (2) |
| 5. AA Batteries (4) | Reinforcement Plate Screws (Optional) (2) |
| 6. Battery Cover | 12. Latch Bolt Screws (2) |
| 7. Interior Assembly Screws (2) | 13. Exterior Assembly Screw (Optional) |
| | 14. Backup Keys (2) |

Installation steps

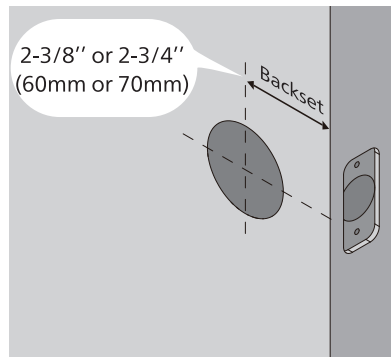
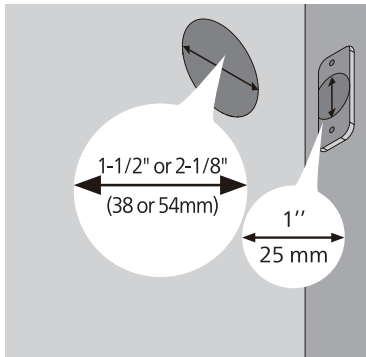
Required Tools



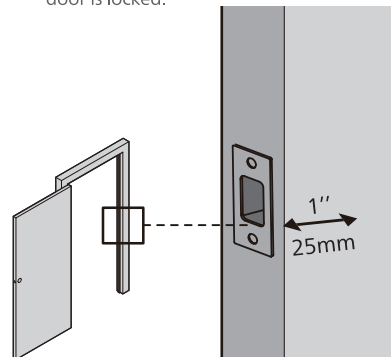
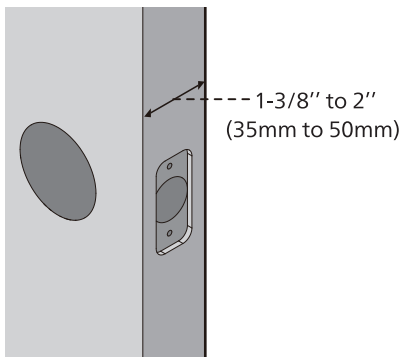
#2 Phillips screwdriver

Prepare the door and check dimensions

- ① Measure to confirm that the hole in the door is 1-1/2" or 2-1/8" (38mm or 54mm).
Measure to confirm that the hole in the door edge is 1" (25mm).
- ② Measure to confirm that the backset is either 2-3/8" or 2-3/4" (60mm or 70mm).



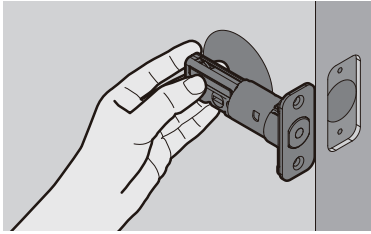
- ③ Measure to confirm that the door is 1-3/8" to 2" (35mm to 50mm) thick.
- ④ Make sure the hole in the door frame is drilled a minimum of 1" (25mm) deep, to leave enough space for the deadbolt to extend into the door frame when the door is locked.



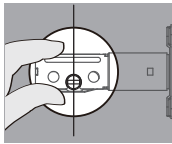
⚠ Attention

Make sure the door frame is aligned with the door and there are no obstructions in the door frame.

5 Determine backset and adjust the latch.

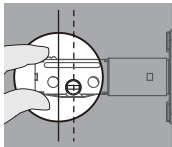


Hold the latch in front of the door hole, with the latch face flush against the door edge. Is the slotted hole centered in the door hole?



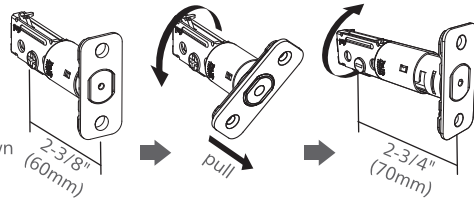
YES

No adjustment is required.
Proceed to next step.

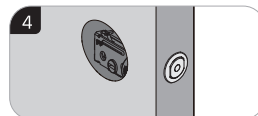
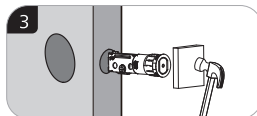
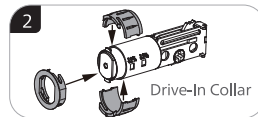
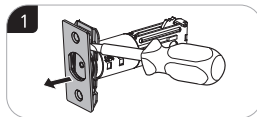
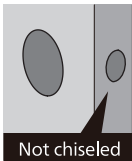
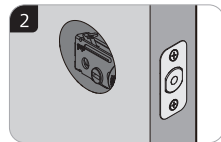
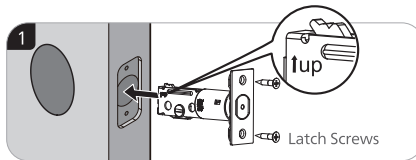


NO

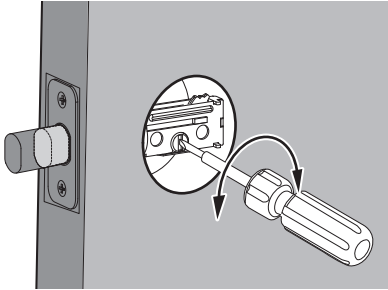
Slotted hole is NOT centered.
Rotate and pull the latch as shown to extend latch.



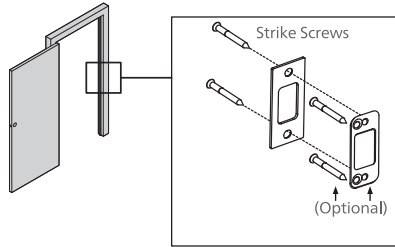
6 Install the latch bolt



- 7 Use a screwdriver to confirm that the deadbolt locks and unlocks smoothly.



- 8 Install strike on the door frame.



Attention

Make sure the hole in door frame is drilled a minimum of 1"(25mm) deep.

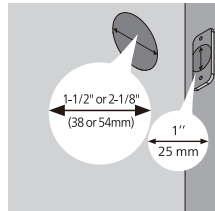
Install exterior assembly

Attention

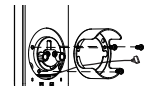
Before installation, make sure the latch is fully retracted (in the unlocked position).



Measure the diameter of the hole in the door.



1-1/2" (38mm)

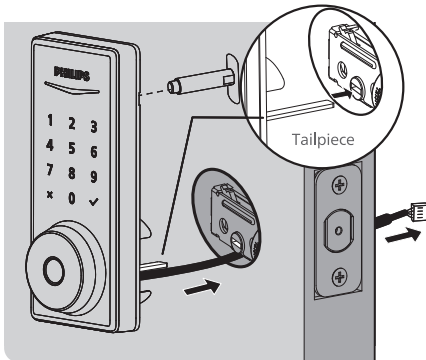


Remove the spacer

2-1/8" (54mm)

Proceed to next step

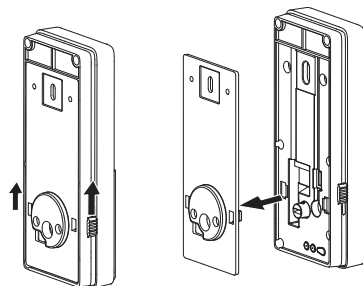
- 9 With the latch fully retracted (in the unlocked position), route the cable below the latch, and insert the tailpiece through the slot in the latch.



Attention

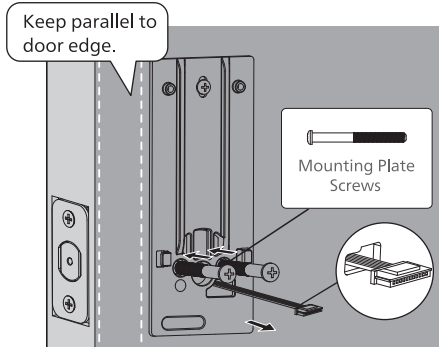
The 3rd top post is OPTIONAL. It is used for additional security, or when a door is weak or warped.

- 10 Move the buttons on both sides of the interior assembly upwards to remove the mounting plate from the interior base.



- 11 Secure the mounting plate with the Mounting Plate Screws. Do not overtighten screws.

Note: The 3rd screw on top is OPTIONAL.

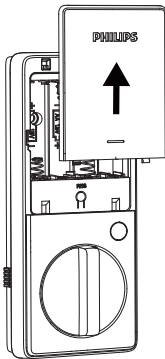


Install interior assembly

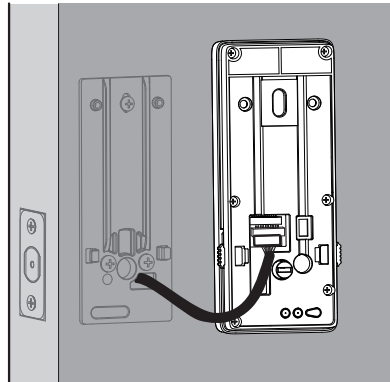
- 12 Push the battery cover up in the direction as illustrated.

⚠ Attention

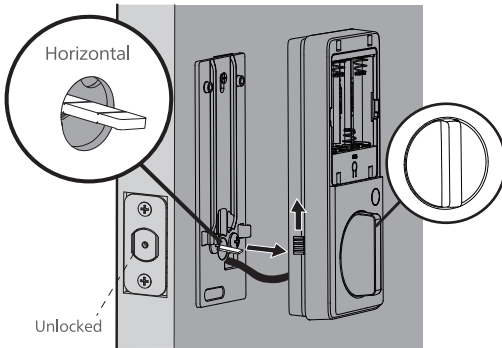
Do not load batteries before finishing the lock installation.



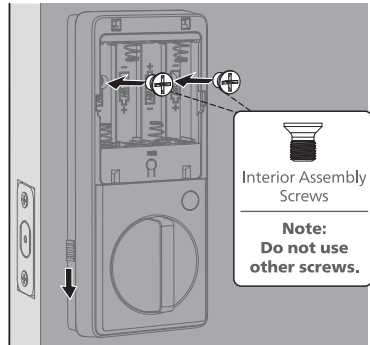
- 13 Insert the cable connector of the exterior assembly to the socket on the interior assembly. Push the connector in firmly until it is completely attached.



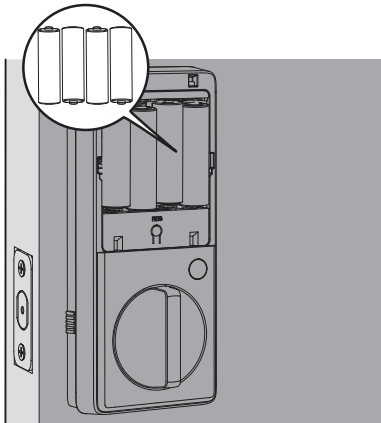
- 14 Keep the thumb turn in the vertical position and install the Interior Assembly.



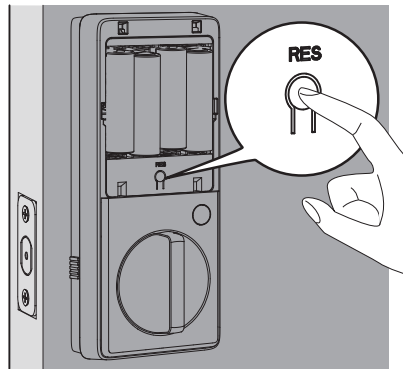
- 15 Attach Interior Assembly to Mounting Plate and fasten using the Interior Assembly Screws.



- 16 Install the AA batteries.



- 17 Press and hold the Reset Button for at least 5 seconds until you hear a beep. This activates the lock handing process and must be completed before setting up the lock.



⚠ Attention

Ensure the cable is not pinched or the lock will not function properly.

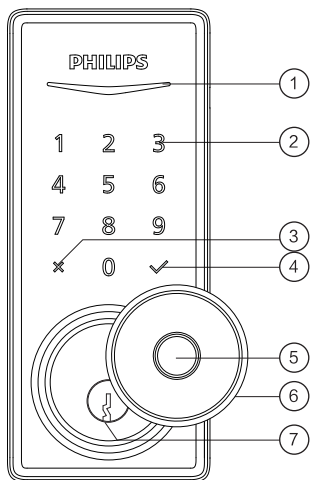
Need Help?



U.S.A. & Canada: +1(833)599-9111

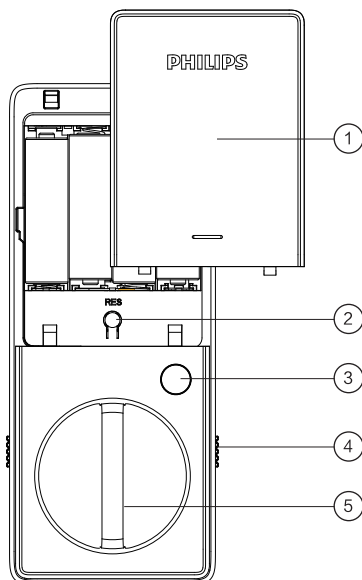
3 Programming Guide

Exterior Assembly



1	Status Indicator
2	Touchscreen Keypad
3	Cancel Key
4	Confirm Key
5	Fingerprint
6	Keyhole Cover
7	Keyhole

Interior Assembly



1	Battery Cover
2	Reset Button
3	Privacy Button
4	Installation Buckle
5	Thumb Turn

Function Definitions

Master PIN Code

Required for programming and adjusting settings. The Master PIN Code can be used to unlock the deadbolt in away mode and privacy mode. The default Master PIN Code must be changed before programming. (Programming instructions refers to page 14.) The owner/manager should keep this information confidential.

Auto Lock

The unit will automatically lock after it has been unlocked. This function is disabled by default. The time delay can be set between 30 and 180 seconds. (Programming instructions refers to page 16.)

Wrong Code Entry Limit

After 10 unsuccessful attempts to enter a PIN code, the keypad will shut down and be unusable for 3 minutes.

Silent Mode

The sounds can be muted when pressing keypad. However, you will still hear low battery warnings and system alerts. (Programming instructions refers to page 16.)

Away Mode

This is a safety feature when you leave your house for a vacation or long trip. Away Mode disables all user codes until the Master PIN Code is entered on the keypad. When the lock is unlocked by the thumb turn, an alarm will sound for 1 minute. By entering the Master PIN Code on the keypad, you can disable the alarm and away mode. (Programming instructions refers to page 17.)

Privacy Mode

Push and hold the privacy button on the inside escutcheon for 3 seconds to activate privacy mode. This will disable all user PIN code access. Privacy mode will be disabled automatically after unlocking the door with the thumb turn or master code.

Low Battery Alarm

When the batteries are running low, the battery indicator will flash and a voice will announce "Low battery. Please replace batteries as soon as possible". Replace the low batteries with four new AA alkaline batteries.

One Time User Code

Generated by Philips Home Access App, this PIN code can only be used once.

4 Operating the Lock

Operation

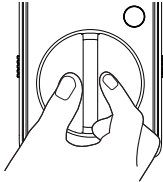
Unlocking the door from outside

1. Place palm over the lock to wake up the keypad.
2. Unlock by the PIN code (Including Master PIN, User PIN and One-Time PIN).
Unlock by the fingerprint
Unlock by the mechanical key



Unlocking the door from inside

Rotate the thumb turn to unlock position.



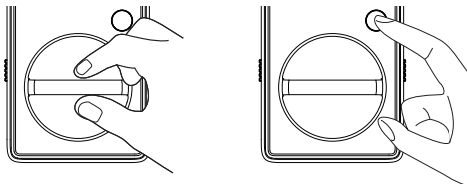
Locking the door from outside

Press and hold any button on the keypad for at least 2 seconds to lock the door in manual mode. In Auto Lock mode, the latch bolt is automatically extended after unlocking.



Locking the door from inside

Rotate the thumb turn to the lock position or press the Privacy Button to lock the device in manual mode. In Auto Lock mode, the device is locked automatically.



5 PIN Code Parameters

Attention

Do not load batteries before finishing the lock installation.

Master PIN Code (4 to 10 digits): The default Master PIN Code is 12345678. Change the default Master PIN Code before programming other codes.

User PIN Code (4 to 10 digits): A total of 20 User PIN Codes can be programmed and stored in the lock.

User Fingerprint: 50 fingerprints can be programmed and stored in the lock.

Both Master and User PIN Codes do not support the following combination of numbers

- A.

1	2	3	4	5	6	7	8
---	---	---	---	---	---	---	---

 × Forward number sequence such
- B.

8	7	6	5	4	3	2	1
---	---	---	---	---	---	---	---

 × Backward number sequence such
- C.

2	2	2	2	2	2	2	2
---	---	---	---	---	---	---	---

 × Repeat number sequence such
- D. If

5	6	8	3
---	---	---	---

 ✓
then

5	6	8	3	9	1
---	---	---	---	---	---

 × Contain existing code sequence such
and

9	1	5	6	8	3
---	---	---	---	---	---

 ×

6 Programming Instructions

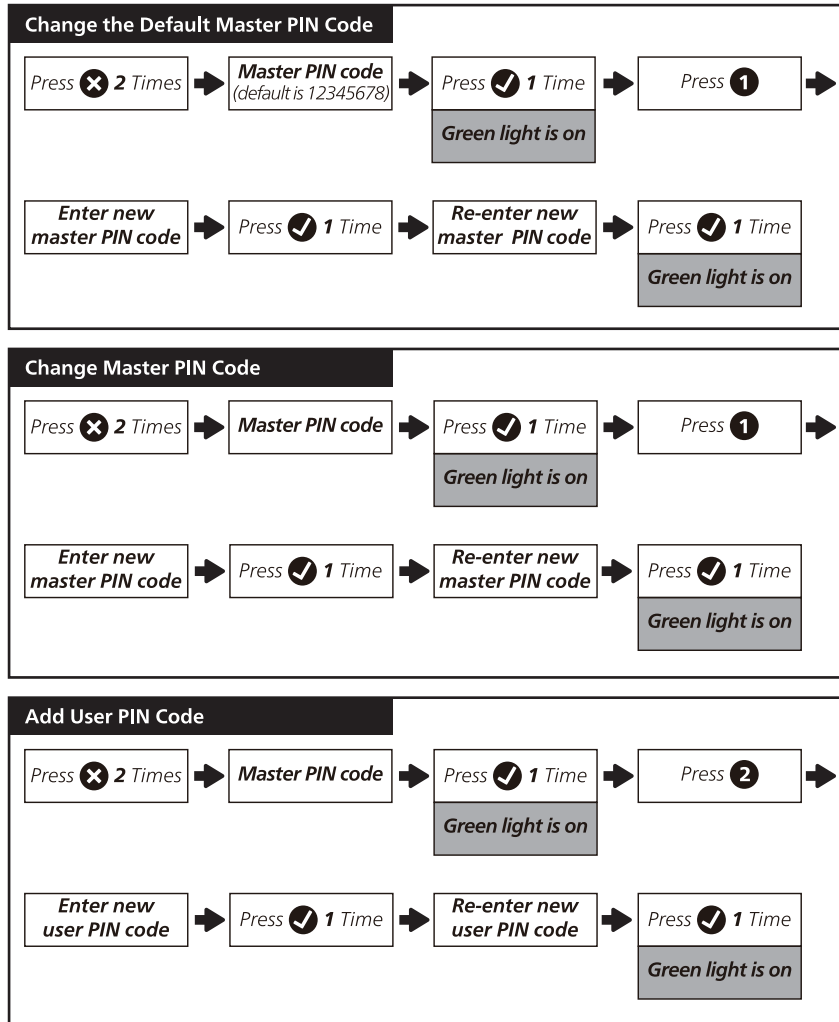
⚠ Attention

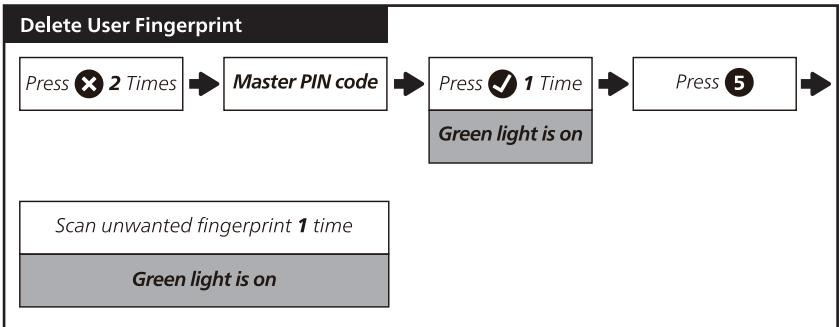
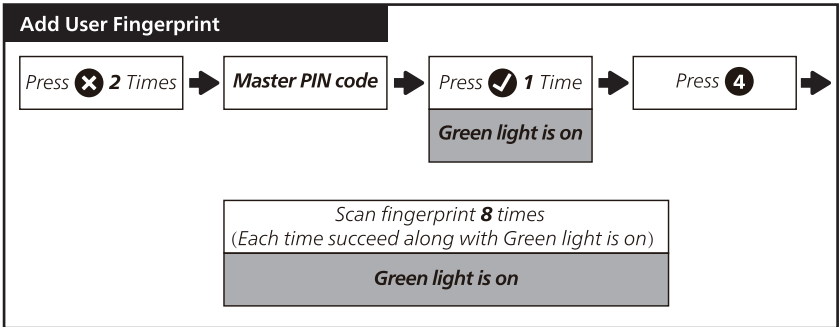
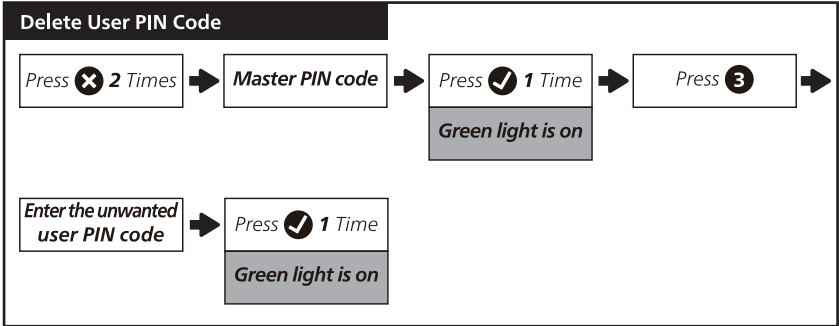
The default Master PIN Code is 12345678. Change the default Master PIN Code before programming the lock.

The indicator light will flash red when the code entered was not saved successfully.

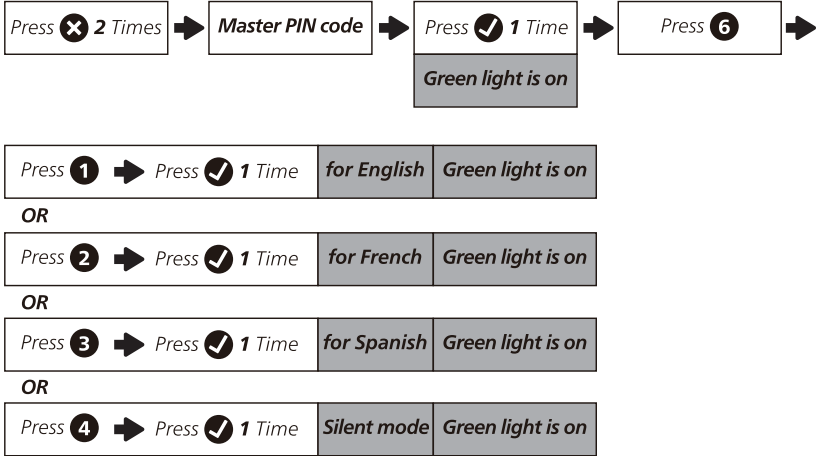
If no button is pressed for more than 10 seconds, the lock will exit programming mode.

Touch keypad with your hand palm to activate lock before setting up.

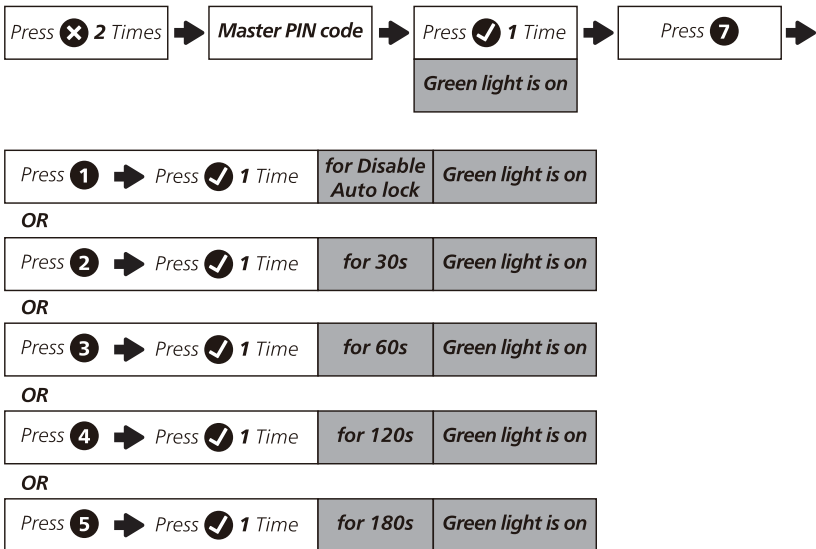


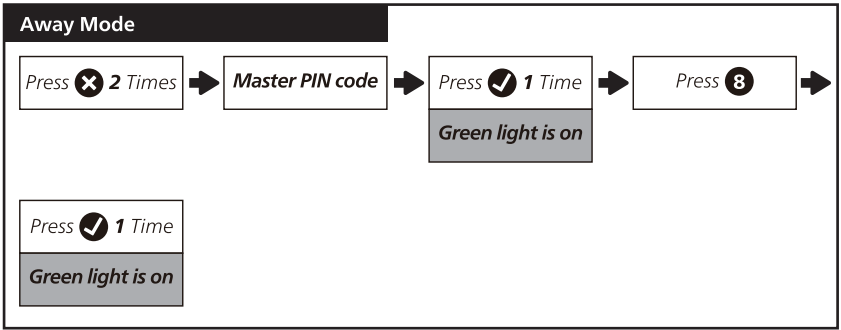


Change System Language



Timed Auto Lock Setting





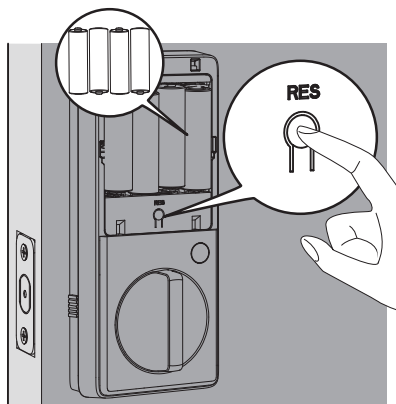
7 Factory Default Settings & Reset Instructions

Factory Reset Instructions

This procedure deletes all user codes associated with the lock.

Restoring the lock will also activate lock handing process.

Press the reset button for at least 5 seconds until you hear the tone prompting you to restore the default settings.



Settings	Factory default
Master PIN Code	12345678
Auto Lock	Disabled
Silent Mode	Disabled
Shut Down Time	3 Minutes
Away Mode	Disabled

8 Troubleshooting

Issue	Solution
The latch does not operate correctly after installation.	<ul style="list-style-type: none"> ◆ Make sure the backset on the latch is set to the proper length. Refer to Installation Guide. ◆ Make sure prior to installation latch bolt is retracted when installing the deadbolt. Refer to Installation Guide. ◆ Please restore to factory default setting and enter the default Master PIN code to set up the lock. Refer to User Guide.
Lock does not smoothly lock or unlock while using the thumb turn.	<ul style="list-style-type: none"> ◆ Confirm the proper mounting screws are installed.
Lock set up failed.	<ul style="list-style-type: none"> ◆ Make sure the lock is installed correctly. ◆ Insert fresh batteries and make sure that the cable is not pinched. ◆ After installation, reset the lock to factory settings to complete the lock setting process.
Keypad not responding.	<ul style="list-style-type: none"> ◆ Make sure batteries are inserted correctly. ◆ If the battery indicator flashes continuously, the batteries are low. Please replace them with four new AA alkaline batteries. ◆ Make sure that the cable is properly connected and has not been damaged during installation.
Master PIN Code cannot be changed.	<ul style="list-style-type: none"> ◆ Refer to page 18 of User Manual to restore factory settings and reprogram all User PIN Codes.
I forgot my Master PIN Code.	<ul style="list-style-type: none"> ◆ Perform a factory reset to clear all PIN codes. Once the reset is complete, all PIN Codes will be deleted and the Master PIN Code will be reset to the default Master PIN Code of 12345678.
Auto Lock is not working.	<ul style="list-style-type: none"> ◆ If the battery indicator flashes continuously, the batteries are low. Please replace them with four new AA alkaline batteries. ◆ Refer to page 16 of the User Manual to activate the Auto Lock function.
Fingerprint can't unlock.	<ul style="list-style-type: none"> ◆ Make sure the fingerprint is registered and recognizable.

Need Help?



U.S.A. & Canada: +1(833)599-9111

9 Warranty

Limited lifetime for mechanical and 2 years warranty

This product was brought to the market by Conex, which is the manufacturer of the product. Conex provides the warranty in relation to the product with which this booklet has been packaged. For more information on the warranty applicable to this product, please visit www.philips.com or contact the dealer where you purchased the product.



Philips and the Philips Shield Emblem are registered trademarks of Koninklijke Philips N.V. and are used under license. This product has been manufactured by and is sold under the responsibility of Shenzhen Conex Intelligent Technology Co., Ltd. and Shenzhen Conex Intelligent Technology Co., Ltd. is the warrantor concerning this product.